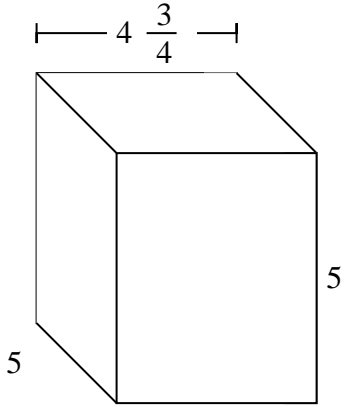


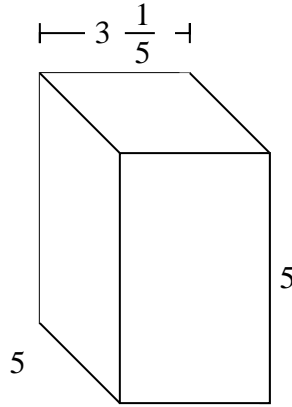


Fill each rectangular prism with cubes to determine the volume. Each prism's unit is measured in cm (not to scale).

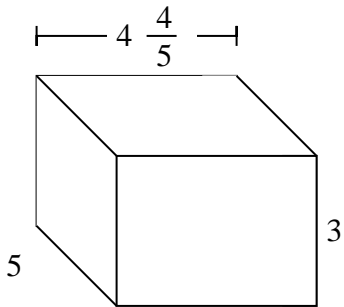
Ex)



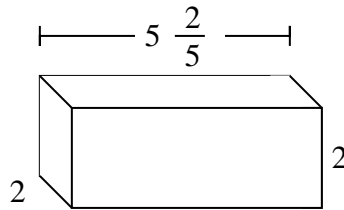
1)



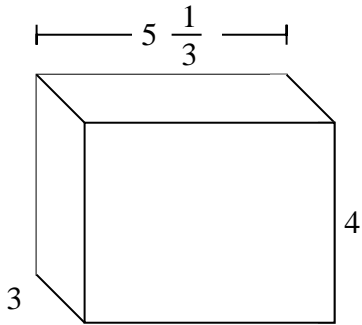
2)



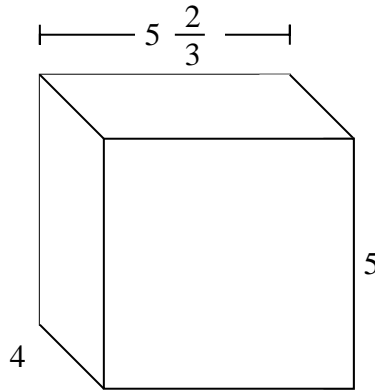
3)



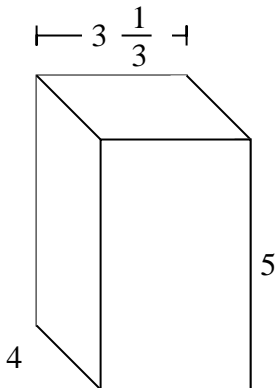
4)



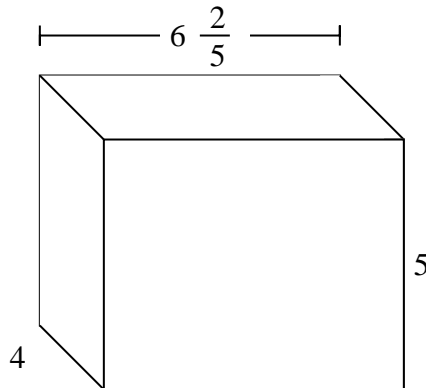
5)



6)



7)

AnswersEx.  $118 \frac{3}{4}$  cm

1. \_\_\_\_\_

2. \_\_\_\_\_

3. \_\_\_\_\_

4. \_\_\_\_\_

5. \_\_\_\_\_

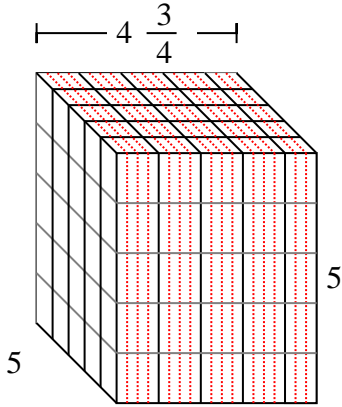
6. \_\_\_\_\_

7. \_\_\_\_\_

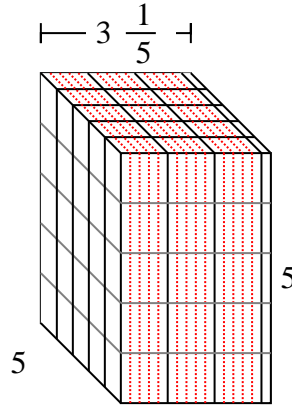


Fill each rectangular prism with cubes to determine the volume. Each prism's unit is measured in cm (not to scale).

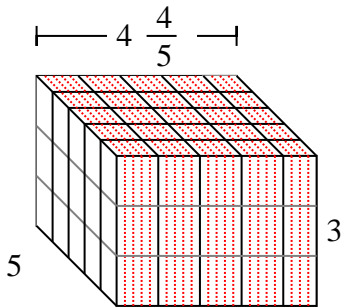
Ex)



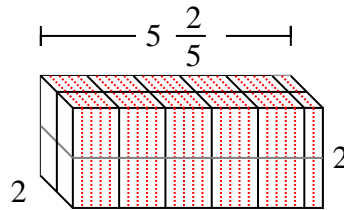
1)



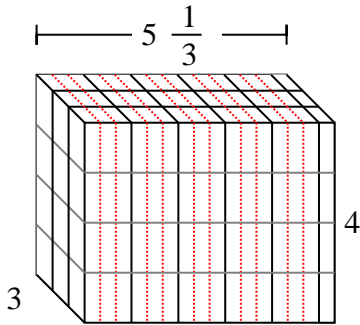
2)



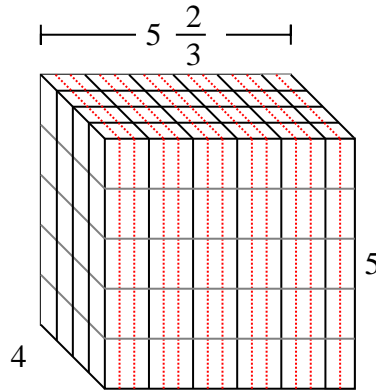
3)



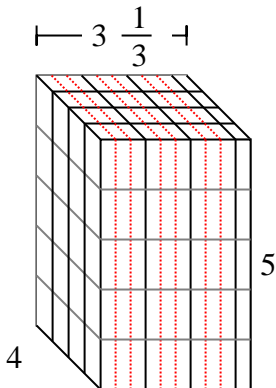
4)



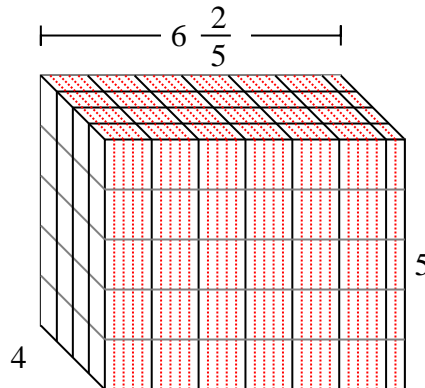
5)



6)



7)

AnswersEx. 118  $\frac{3}{4}$  cm1. 80 cm2. 72 cm3. 21  $\frac{3}{5}$  cm4. 64 cm5. 113  $\frac{1}{3}$  cm6. 66  $\frac{2}{3}$  cm7. 128 cm